



The SURGE_x-COMP series offers piston-operated, lead-free water hammer arrestors made from hard-drawn seamless copper with a brass compression TEE, available in size DN15 (1/2"). These arrestors absorb shock caused by sudden changes in water flow direction to prevent damage to pipes, valves, and fixtures. These arrestors are usually used in copper tubes.

OPERATION

SURGE_x-COMP arrestors are pre-charged with pressurized gas (nitrogen) and installed in the plumbing system near the source of the water hammer. When water flow suddenly stops, the piston inside the arrestor compresses the gas, which absorbs the pressure surge and reduces the risk of damage to the plumbing system. The compressed gas then slowly expands back to its pre-charged state, ready for the next water hammer event.

FEATURES

- Seamless body fabricated from hard-drawn copper ensures smooth movement of the piston.
- Superior piston design provides excellent resistance to water hammer and hydraulic shock, ensuring durability and long service life with maintenance-free operation.
- Compact and slim design allows for easy installation in tight spaces, minimizing the area consumed.
- Can be installed at any position for added flexibility.
- Factory pre-charged at 60 PSI (4.2 BAR) with nitrogen and hermetically sealed, eliminating the need for additional charging after installation.
- Lead-free brass adapter ensures the safety of drinking water.
- High working pressure of up to 24 BAR (350 PSIG) and high operating temperature of up to 121°C (250°F).

MATERIALS OF CONSTRUCTION

- Body: Hard drawn seamless
- Piston: Polypropylene PP
- O-ring: EPDM
- Seal lubricant: Dow-Corning Silicone or equivalent compound approved for use in potable water systems
- Adapter: Lead Free Brass, C46400

WORKING PARAMETERS

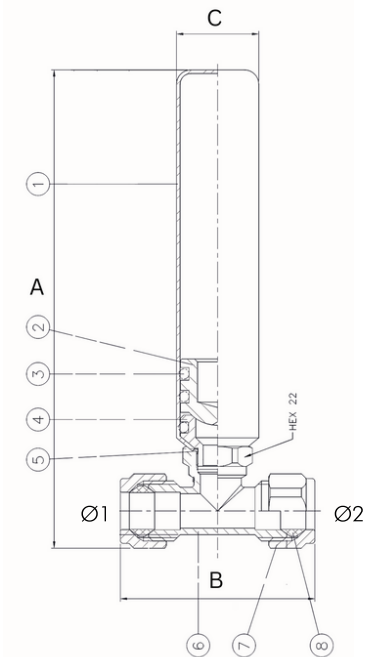
- Pressure range: Up to 350 PSIG (24 BAR)
- Temperature: 33°F to 250°F (0.5°C 121°C)

STANDARDS

- Compliant with the latest American and Australian Standards
- Compliant with PDI WH-201 standards and its requirements



1	C1220T-H Pipe
2	PP Piston
3	EPDM O-ring
4	C46400 Sub Adapter
5	EPDM O-ring
6	C46400 Tee
7	C46400 Ring Nut
8	PE Ring



MODEL		C1015	C1515
SIZE		AA	A
FIXTURE UNIT		1-4	5-11
DIAMETER (C)	INCH	7/8"	1-1/8"
	MM	22.22	28.58
HEIGHT (A)	INCH	5-19/32"	6-9/16"
	MM	143.24	166.59
WIDTH (B)	INCH	2-11/16"	2-11/16"
	MM	67.56	67.56
Ø1/ Ø2	INCH	1/2" / 1/2"	1/2" / 1/2"
	MM	15 / 15	15 / 15

Due to continuous improvement of the products, specifications including design, construction, materials, or dimensions might be modified without prior notice with no obligations to apply such modifications on sold products. Dimensions listed are approximate and for guidance only. Accurate measurements can be obtained or confirmed from Fluidex technical support.